



SPECTRO LIGHT

**STARTER
100**



spectro-light.com

First true HPS light replacement. The best light for your plants...

Why Spectro Light?

SPECTRO LIGHT company, which has its roots in the company Spectro Color is formed with technologically innovative mind of its creator and founder Thomas Brackowski. Many years of experience and work in the field of lighting technology made it possible to combine breakthrough technology in the field of LED lighting with the biological needs of plants. With a positive test carried out from the Institute of Plant Breeding and Acclimatization and the Institute of Horticulture evidenced with the high quality advantages of our products.

The main purpose of what we were trying to achieve is a reflection spectrum of PAR based on Cree MC curve to efficiency declass traditional HPS luminaires. Biological Results confirmed the efficiency of our illuminators.

Key Benefits

- First true HPS light replacement. The best light for your plants...
- Excellent light uniformity to ensure uniform growth
- Shorten growth cycles
- Improve color, shape and taste
- Better spectrum of light 15% blue 65% wide Red 10% far red
- 5 year warranty for all our products!
- Design and manufacture in EU
- Higher yield, less heat, dimmable

STARTER 100

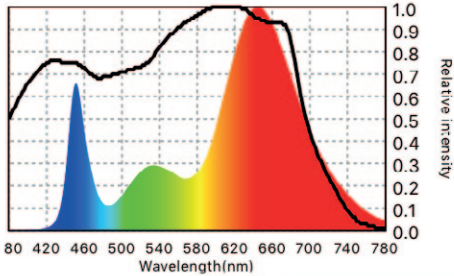
Is the smallest of our illuminators, but do not let its size fool you. By using the best technology available, it surpasses its 250W HPS competitor.

Spectrum has been refined and precisely selected to give the maximum yield and quality of the harvest, that the competition can only dream about.

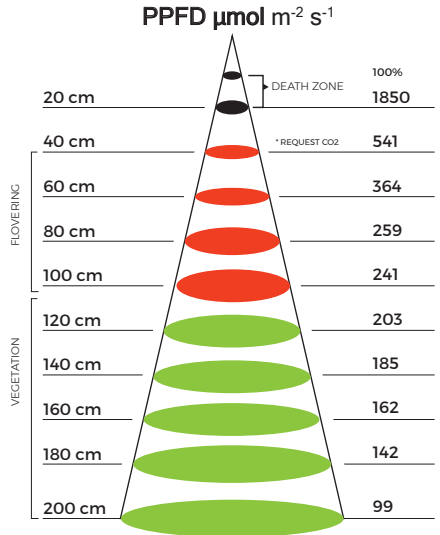
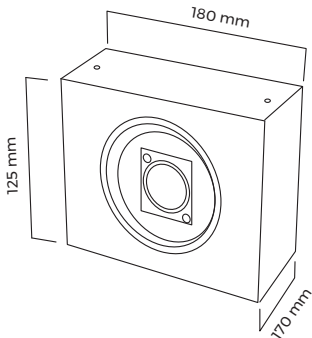
The new optical system guarantees maximum uniformity of light distribution.

It is ideally supplied for small surfaces 80x80cm. Where I will show my best.

Check us out and you will never use HPS lamps again...



LED's	spectro light COB full spectrum 420-780nm
PPF (total)	122 µmol/s
Efficiency	1.95 µmol/J
Energy used	110W
Dimensions	180x125x170mm
Target area	80x80cm
Lens	glass optic 120°
Replaces	replaces 250W HPS
Driver	spectro light desing driver 96% efficacy
Lifetime	100 000 h
Weight	2.6 kg



Measure take in growbox 80x80cm

